



# Passport Reader

AL100 Passport Reader is an ultra fast passport reader with high-precision OCR algorithm and consists of a unique hardware device and cutting-edge OCR engine.



## AL100(I)

### Features

- Compliance with ICAO Doc 9303 specifications
- A variety of travel documents recognized (by award winning OCR engine)
- Easily controlled, automatically trigger
- 3.0 Megapixel provided, and 400DPI image resolution
- OCR processing
- RFID reading
- 1D & 2D bar code reading
- Contactless Integrated Circuit (CIC) reading and writing (optional)
- Imaging in 24-bit visible color, infrared, ultraviolet(optional)
- Software Development Kit to be easily integrated

# Application



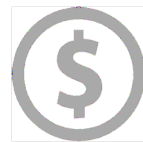
**Airport  
Border Control**



**Security  
Access Control**



**Hotel  
Property Management**



**Finance  
Payment Process**

## Specification

### Supported Documents

Machine Readable Zone	ICAO 9303 standard compliant documents:
	ID-1 (Identity Card)
	ID-2 (Visa)
	ID-3 (Passport)
Visual Inspection Zone	Customization based on clients' requirements

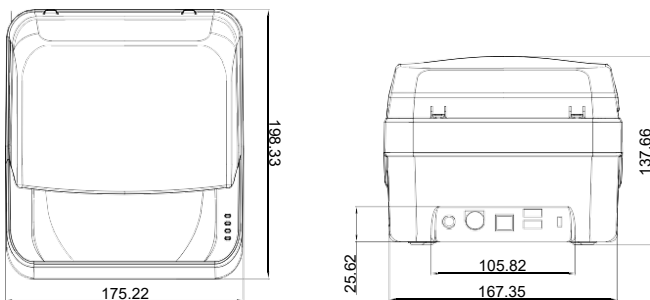
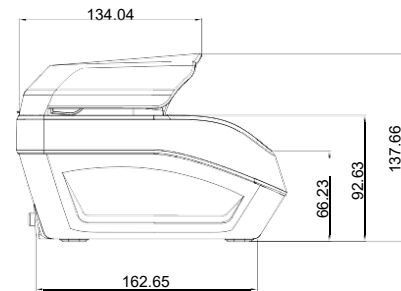
Barcode	1D: Code 128, Code 39, Interleaved 2 of 5
	2D: PDF 417, QR Code, Data Matrix, Aztec Code

### Image

Resolution	500 DPI
Illumination	Visible, IR (850nm)
Color Depth	24 bits/pixels
Sensor	CMOS, 5.0 Megapixels (2592*1944) JPG, BMP,
Image Format	PNG
Field of View	127mm*88mm

### Software

Supported Operation System	Windows 7,8,10, Vista, XP (32/64 bit WHQL certified)
	Windows Server 2003 & 2008 (32/64 bit)
	Linux Ubuntu, CentOS, RedHat Android
Development kit	Complete OCR SDK including DLLs, OCXs, WebSocket, Samples and Demo program
Programming Languages	C#, C/C++, Java, Delphi, Visual Basic 6.0, VB.NET
Security Check	UV Dull Paper Check; MRZ Comparison; Portrait Comparison; IR B900 Ink check.



### Hardware

Dimension	175*199*140mm(width*depth*height) 1.75kg (Net)
Weight	2.00kg (Gross)
Interface	USB 2.0
Status LEDs	Power, Ready, Error and Warning
Buzzer	Build-in buzzer
Power	Input: AC 100~240V, 50-60Hz, 0.8A Output: DC 12V, 2A
Operating humidity	20%-95%(non-condensing)
Operating temperature	-10°C to 50°C operating
	-20°C to 50°C storage
Warranty	1 year warranty, extensible

